

PROJECTOR LED 2500 TE PRODUCT DESCRIPTION

- 2500 Lumen output
- compact design
- high energy efficiency
- high-efficient 36mm optical system
- DMX dimmable 0-100% as option
- DALI dimmable 10-100% as option

High-resolution and high-performance f2 lenses provide excellent light distribution with 2500 lumen output at the projection surface.

The projector meets the target for an extremely compact design: Fixed focal length and an optimal diameter of mask for the optical assembly, external mounting of the power supply for a compact housing.

In the projection field standard LED technology is little efficient. Thanks to the optical system optimised for lighting purposes, opticalight LED light-projectors lead the field with 50% luminous flux efficacy.

Excellent light distribution on 36 mm masks:
the 3500 dpi laser manufacturing reduces grid effect even at facade filling scale.



TECHNICAL SPECIFICATIONS

Projector	2500 lumen, 43W CE, IP 65, IK 08, class III, -20 C° until +35C°
Light source	1 x CREE CXB 1520 36V 44'000h (L90/B10) T _A 25°C 3'000 K°, CRI 90° 2'200 K° - 6'500 K° on preorder
Housing	PA6, Al, CrN, standardcolour DB 703 custom colour on preorder
Optical lenses	15° / 20° / 25° / 40° / 60° 3D focus and keystone correction
Adjustability	tilt +/- 60° pan 360°
Measures	25° - 60° optic: ø 100mm / l 210mm 15° + 20° optic: ø 100mm / l 265mm
Load	straight/angular: 4kg / 0,047m2 external: 2kg / 0.023m2 + 1kg power supply
Masks	ø 36 mm Al - Borosilicate life time > 10 years
Power supply	Meanwell ELG-75-42 / ELG-240-42 acc. to datasheet manufacturer

MOUNTING

LED 2500 projectors can be mounted in every position. The optical assembly unit and LED module must remain accessible at all times.

MAINTENANCE

Opticalight installations are designed to be maintained by the operating company. Readjustment is not necessary if the projector is correctly mounted and operated. Annual external cleaning is recommended. Excluding incidents the masks are maintenance-free. The power supply is either external, or integrated in the luminaire 's mount. The LED module can be replaced like a conventional light source and can be ordered in exchange for a defective module.

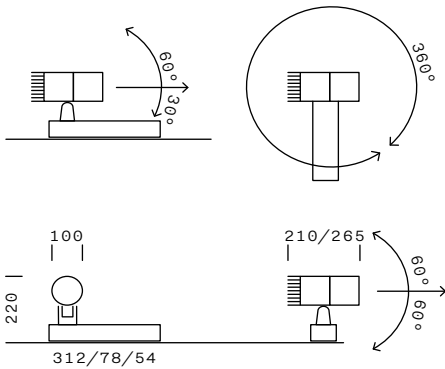
PHOTOMETRIC DATA

Maximal range of illumination is determined through lens selection (15°/20°/25°/40°/60°). Regular light distribution is achieved at full output. This distribution can be simulated with photometric data.

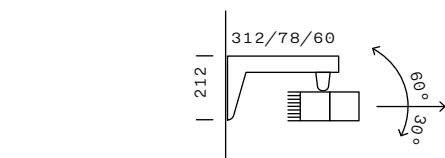
INDUSTRY STANDARD COB

The LED 2500 T may be equipped with standard 9mm LES COB. The Cree CXB 1520 used is available from 2200K° up to 6500K° at a CRI of 80 - 98. The extremely high density of up to 72 lm / mm2 is key to the highly optical efficiency.

straight



angular



external

